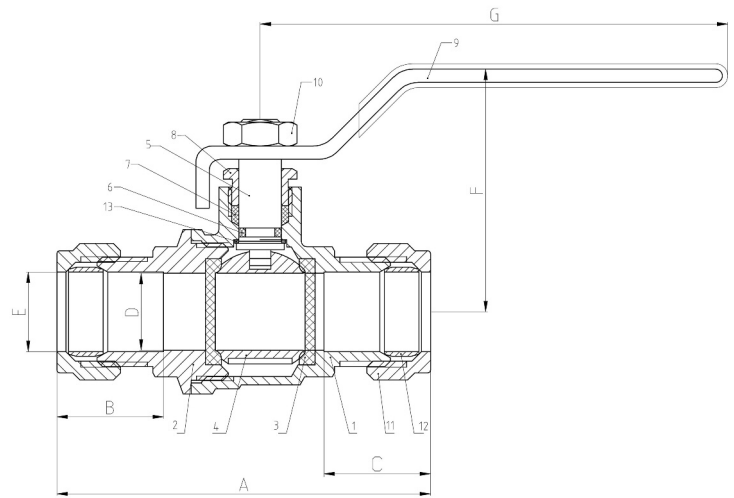


CP89LGW

Brass Nickel Plated Full Bore Ball Valve c/w Standard Lever

(Supplied bagged with loose RED and BLUE sleeve)



TECHNICAL DESCRIPTION

FUNCTION

Shut-Off

SIZE RANGE

15mm - 28mm

PRESSURE RATING

PN25

TEMPERATURE RANGE

-20°C ~ 120°C (Gas MOP 5 -20 °C ~ 60 °C)

BODY MARKING

DN, PN, Batch Date, CW617N

COLOUR

Handle: Yellow

APPROVALS

WRAS

Gas EN331:1998+A1:2010

MATERIAL CONSTRUCTION AND SPECIFICATION

1. BODY:	CW617N Brass Nickel Plated
2. BONNET:	CW617N Brass Nickel Plated
3. SEAT:	PTFE
4. BALL:	CW617N Brass Chrome Plated (Polished)
5. STEM:	CW617N Brass Nickel Plated
6. O-RING:	VITON
7. PACKING:	PTFE
8. LOCK NUT:	HPb59-T Brass
9. HANDLE:	Q235 Chrome Plated and PVC Sleeve
10. NUT:	Stl/Stl (White Zinc Plating)
11. COMPRESSSION NUT:	HPb59-T Brass
12. OLIVE:	H62 Brass
13. GASKET:	PTFE

CONNECTION

Compression x Compression (EN1254-2)

DIMENSIONS (mm)

SIZE	15mm	22mm	28mm
CODE	CP89LGW-C15	CP89LGW-C22	CP89LGW-C28
A	70.5	82	91
B	26	29	30
C	20	22	24
ØD	14.5	19	24.5
E	15	22	28
F	47	52	65
G	88	100	125
PN	25	25	25
Kv			
WEIGHT(g)	232	341	567
PACKING	12/48	9/36	6/24